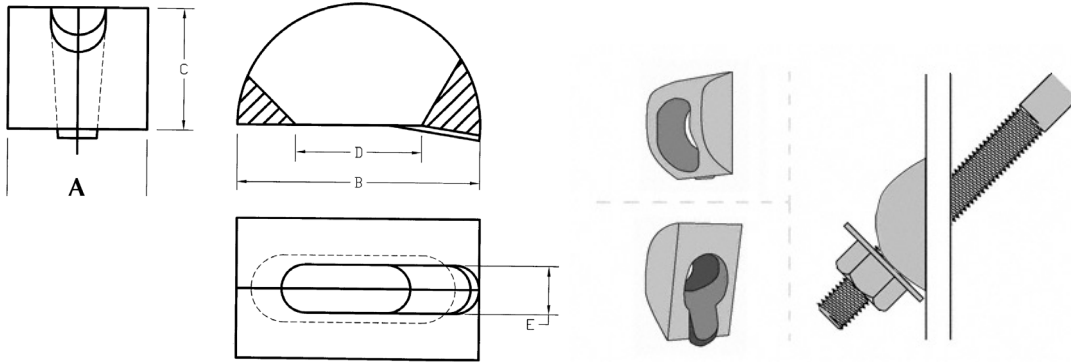


Hillside Washers (Cast Iron)



WHILLCIO---

SIZE	A		B		C		D		E	
	Min	Max	Min	Max	Min	Max	Min	Max	Min	Max
3/8"	1-3/16		1-3/4		7/8		13/16		7/16	
1/2"	1.29	1.35	1.97	2.03	0.97	1/2"	1.29	1.35	1.97	2.03
5/8"	1.41	1.47	2.22	2.28	1.10	5/8"	1.41	1.47	2.22	2.28
3/4"	1.59	1.65	2.35	2.41	1.10	3/4"	1.59	1.65	2.35	2.41
7/8"	1.78	1.84	2.85	2.91	1.28	7/8"	1.78	1.84	2.85	2.91
1"	1.97	2.03	3.10	3.16	1.60	1"	1.97	2.03	3.10	3.16
1-1/4"	2-3/8		4-3/4		1-11/16		2-1/4		1-1/8	